

DISCOVER THE FIREPLACE OF YOUR DREAMS!

TECHNICAL SPECIFICATIONS

BIO ETHANOL FIRES



ELEMENT





A FIREPLACE THAT MATCHES YOUR DNA...

"At Element4 we have a clear ambition: to make the impossible come true. We love to think outside of the box. This results in a wide range of innovative fireplaces with powerful designs and beautiful flame pictures. It is precisely this combination that ensures that our brand is loved worldwide by design enthusiasts and architects alike.

Our promise? A fireplace with great features that will enhance any interior.
We hope to convince you of that also."

A handwritten signature in black ink, appearing to read 'Jan Kempers', written on a light-colored background.

Jan Kempers
President and Founder

TABLE OF CONTENTS

Fireplace	Specifications
Bio Ethanol fire 3-Sided/ Bay / Island / See-through / Front / Corner / Peninsula / Stove	
BIO 50I	PAGE 4
Bio Ethanol fire Front	
SKY SMALL FRONT BIO	PAGE 5
SKY MEDIUM FRONT BIO	PAGE 6
SKY LARGE FRONT BIO	PAGE 7
Bio Ethanol fire See-through	
SKY SMALL TUNNEL BIO	PAGE 8
SKY MEDIUM TUNNEL BIO	PAGE 9
SKY LARGE TUNNEL BIO	PAGE 10
Bio Ethanol fire Peninsula	
SKY SMALL ROOMDIVIDER BIO	PAGE 11
SKY MEDIUM ROOMDIVIDER BIO	PAGE 12
SKY LARGE ROOMDIVIDER BIO	PAGE 13



Bio Ethanol fire

BIO 50I

Bio Ethanol burner

Bio Ethanol (min-max): 17,060 - 23,880 BTU

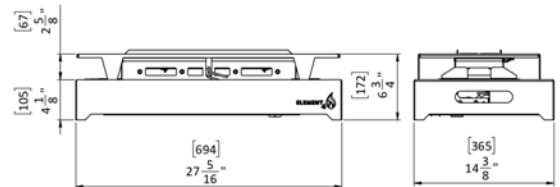
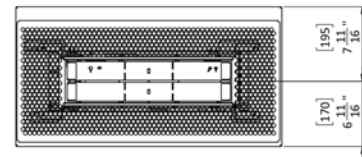
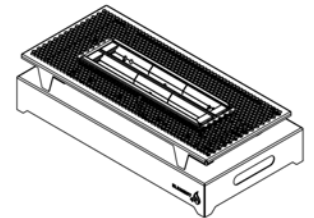
Energy efficiency class: A++

Remote control: (Standard)

Access door: (Optional)

Convection grills built-in and surface-mounted: (Optional)

BIO 50I



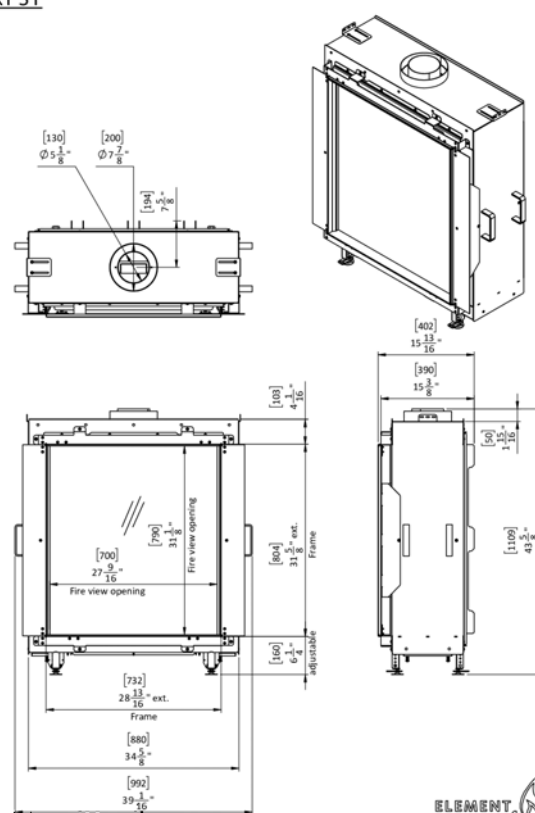


Bio Ethanol fire

SKY SMALL FRONT BIO

Bio Ethanol burner	
Bio Ethanol (min-max):	17,060 - 23,880 BTU
Energy efficiency class:	A+
Venting ø (inch):	5" x 8"
Black steel:	(Standard)
Black reflective panels:	(Optional)
Remote control:	(Standard)
Powerfan:	(Optional)
Anti-reflective glass:	(Optional)
Access door:	(Optional)
Convection grills built-in and surface-mounted:	(Optional)

SKY SF



ELEMENT



Bio Ethanol fire

SKY MEDIUM FRONT BIO

Bio Ethanol burner

Bio Ethanol (min-max): 17,060 - 23,880 BTU

Energy efficiency class: A+

Venting \varnothing (inch): 5" x 8"

Remote control: (Standard)

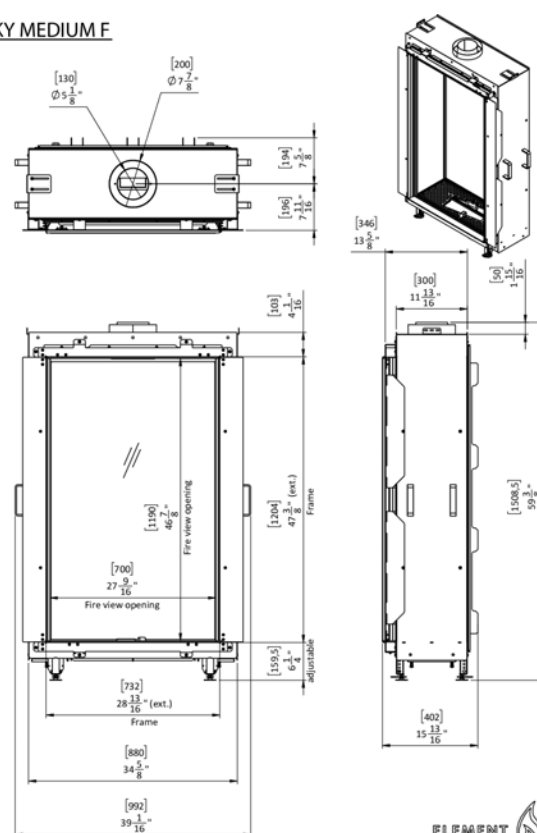
Powerfan: (Optional)

Anti-reflective glass: (Optional)

Access door: (Optional)

Convection grills built-in and surface-mounted: (Optional)

SKY MEDIUM F



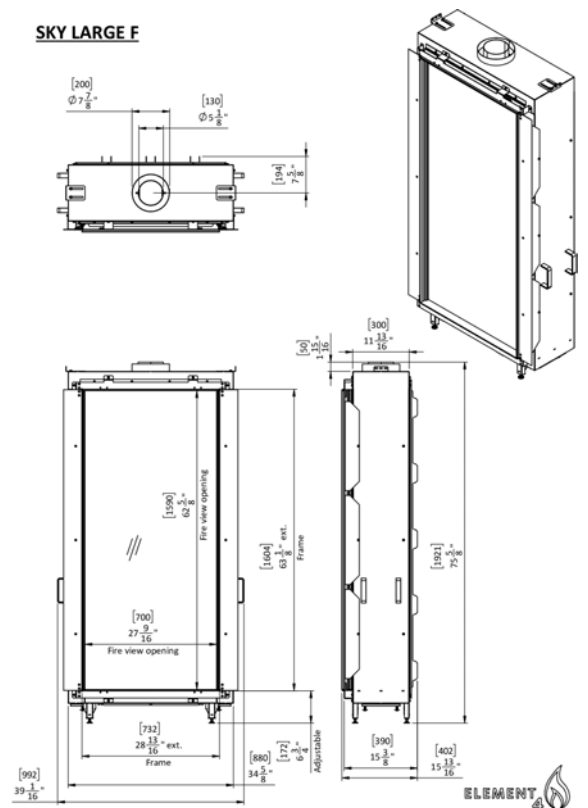


Bio Ethanol fire

SKY LARGE FRONT BIO

Bio Ethanol burner	
Bio Ethanol (min-max):	17,060 - 23,880 BTU
Energy efficiency class:	A+
Venting \varnothing (inch):	5" x 8"
Black steel:	(Standard)
Black reflective panels:	(Optional)
Remote control:	(Standard)
Powerfan:	(Optional)
Anti-reflective glass:	(Optional)
Access door:	(Optional)
Convection grills built-in and surface-mounted:	(Optional)

SKY LARGE F



ELEMENT 40

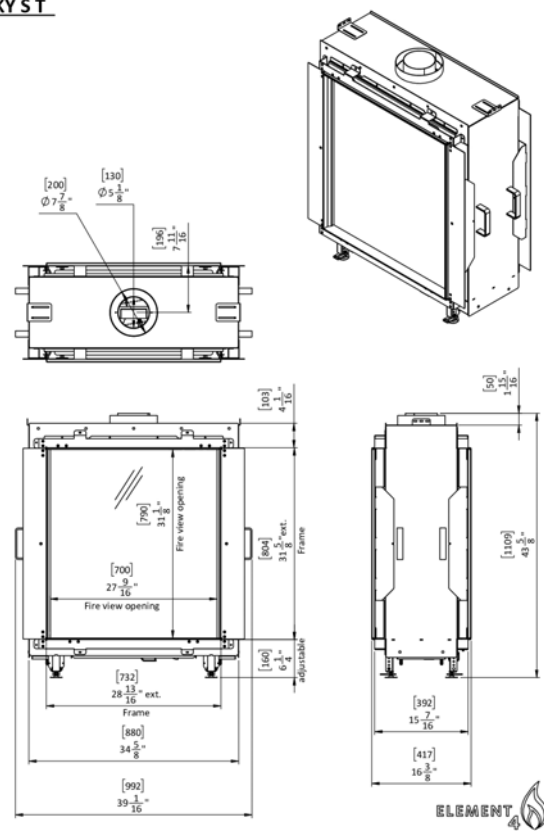


Bio Ethanol fire

SKY SMALL TUNNEL BIO

Bio Ethanol burner	
Bio Ethanol (min-max):	17,060 - 23,880 BTU
Energy efficiency class:	A+
Venting \varnothing (inch):	5" x 8"
Black steel:	(Standard)
Black reflective panels:	(Optional)
Remote control:	(Standard)
Powerfan:	(Optional)
Anti-reflective glass:	(Optional)
Access door:	(Optional)
Convection grills built-in and surface-mounted:	(Optional)

SKY S T



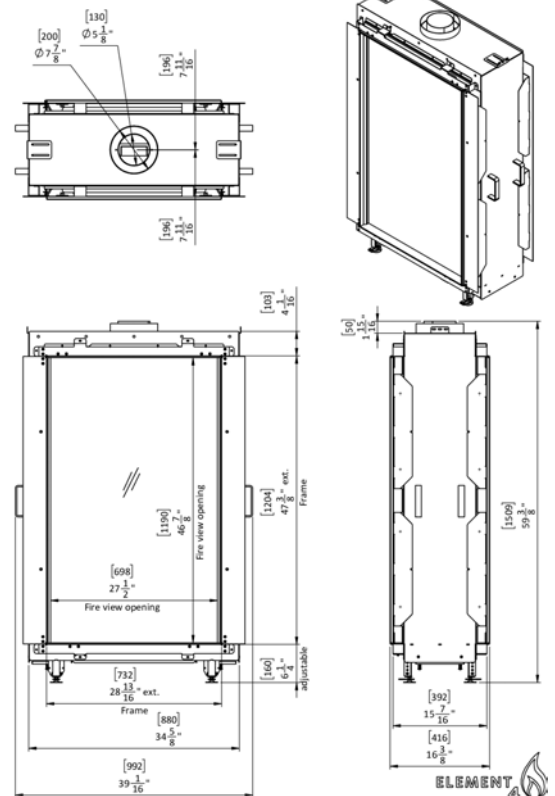


Bio Ethanol fire

SKY MEDIUM TUNNEL BIO

Bio Ethanol burner	
Bio Ethanol (min-max):	17,060 - 23,880 BTU
Energy efficiency class:	A+
Venting \varnothing (inch):	5" x 8"
Black steel:	(Standard)
Black reflective panels:	(Optional)
Remote control:	(Standard)
Powerfan:	(Optional)
Anti-reflective glass:	(Optional)
Access door:	(Optional)
Convection grills built-in and surface-mounted:	(Optional)

SKY M T



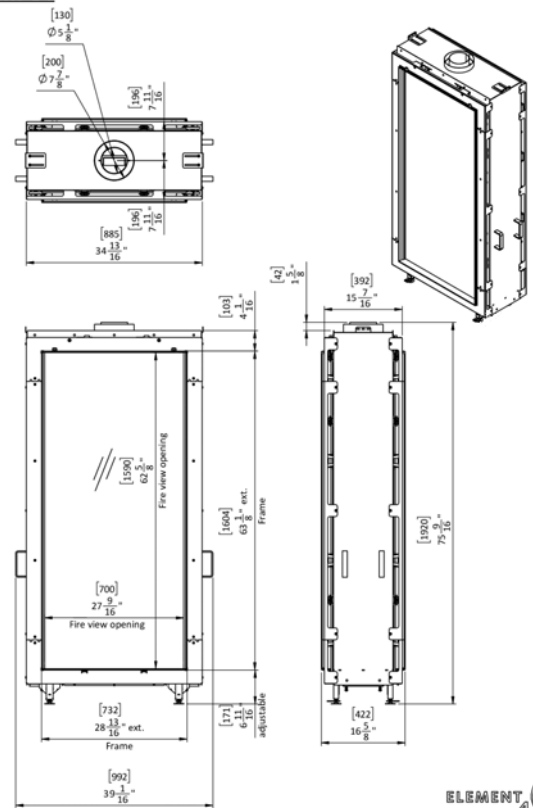


Bio Ethanol fire

SKY LARGE TUNNEL BIO

Bio Ethanol burner	
Bio Ethanol (min-max):	17,060 - 23,880 BTU
Energy efficiency class:	A+
Venting \varnothing (inch):	5" x 8"
Black steel:	(Standard)
Black reflective panels:	(Optional)
Remote control:	(Standard)
Powerfan:	(Optional)
Anti-reflective glass:	(Optional)
Access door:	(Optional)
Convection grills built-in and surface-mounted:	(Optional)

SKY LT

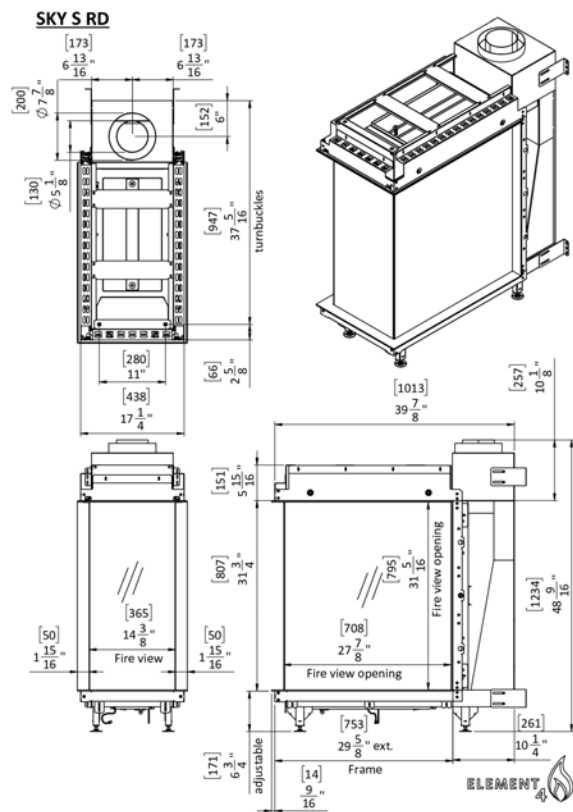




Bio Ethanol fire

SKY SMALL ROOMDIVIDER BIO

Bio Ethanol burner	
Bio Ethanol (min-max):	17,060 - 23,880 BTU
Energy efficiency class:	A+
Venting \varnothing (inch):	5" x 8"
Black steel:	(Standard)
Black reflective panels:	(Optional)
Remote control:	(Standard)
Powerfan:	(Optional)
Anti-reflective glass:	(Optional)
Access door:	(Optional)
Convection grills built-in and surface-mounted:	(Optional)



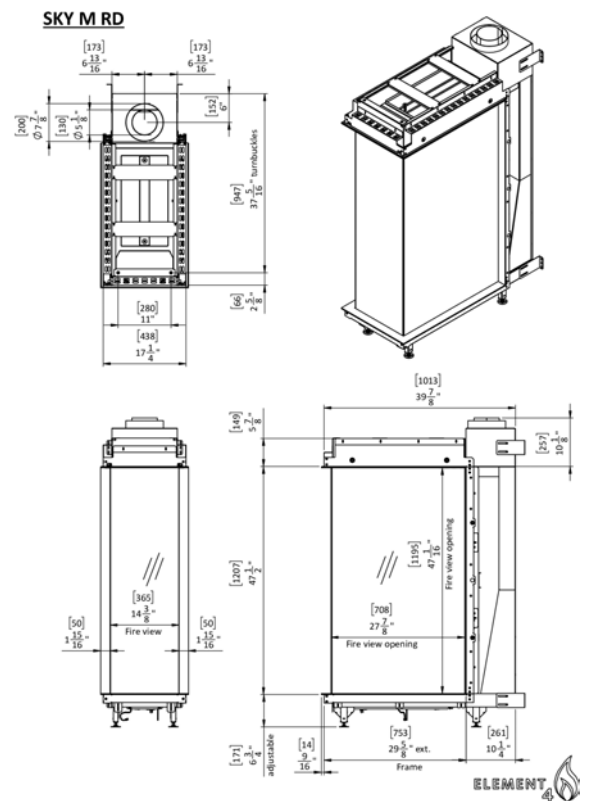


Bio Ethanol fire

SKY MEDIUM ROOMDIVIDER

BIO

Bio Ethanol burner	
Bio Ethanol (min-max):	17,060 - 23,880 BTU
Energy efficiency class:	A+
Venting \varnothing (inch):	5" x 8"
Black steel:	(Standard)
Black reflective panels:	(Optional)
Remote control:	(Standard)
Powerfan:	(Optional)
Anti-reflective glass:	(Optional)
Access door:	(Optional)
Convection grills built-in and surface-mounted:	(Optional)



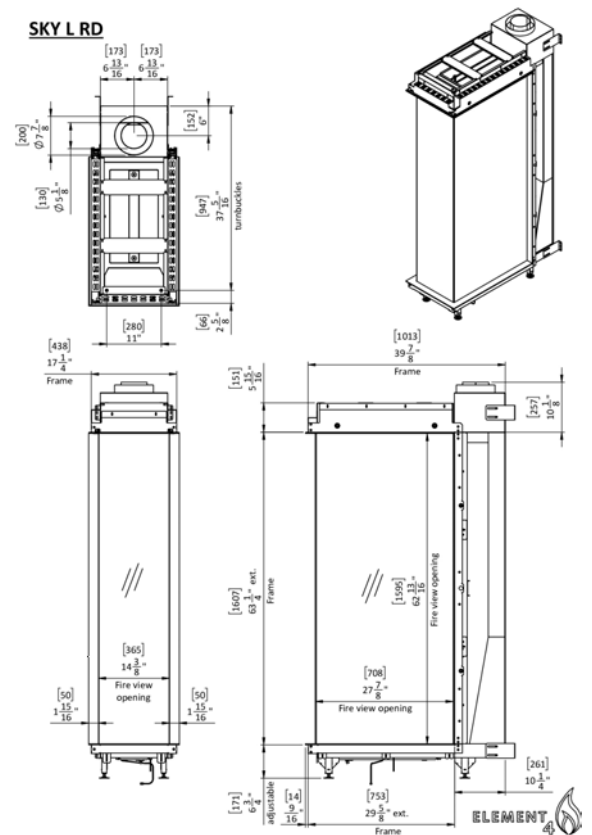


Bio Ethanol fire

SKY LARGE ROOMDIVIDER BIO

Bio Ethanol burner	
Bio Ethanol (min-max):	17,060 - 23,880 BTU
Energy efficiency class:	A+
Venting \varnothing (inch):	5" x 8"
Black steel:	(Standard)
Black reflective panels:	(Optional)
Remote control:	(Standard)
Powerfan:	(Optional)
Anti-reflective glass:	(Optional)
Access door:	(Optional)
Convection grills built-in and surface-mounted:	(Optional)

SKY L RD



**AN EXTRAORDINARY INTERIOR NEEDS A
FIREPLACE FROM ELEMENT4**



ELEMENT
4 

